
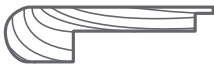





TRIM OPTIONS

- Premium solid wood moldings and transitions made to coordinate with the floor of your choice.

PROFILE	 REDUCER	 STAIR NOSE	 T-MOLD	 QUARTER ROUND	 THRESHOLD
WILLOW	LM6874	LM6875	LM6876	LM6877	LM6878
ALPINE	LM6825	LM6826	LM6827	LM6828	LM6829
SILVERDALE	LM6815	LM6816	LM6817	LM6818	LM6819
ROARING FORK	LM6810	LM6811	LM6812	LM6813	LM6814
MONARCH	LM6869	LM6870	LM6871	LM6872	LM6873

FLOOR CARE AND MAINTENANCE

- To clean, regularly sweep or vacuum, along with periodic use of an approved no-wax hardwood floor cleaner.
- Clean up spills promptly with a soft cloth and recommended products.
- Place felt-type protectors on the bottom of all furniture and fixture legs to assist in preventing denting and scratching.
- To prevent scratches and dents, avoid wearing spiked shoes (such as sports cleats) on flooring.
- The exposure of sun, UV rays, and artificial lighting can cause the wood and/or stain to change color and/or fade over time.
- For more details, refer to Floor Care and Preventative Maintenance on harrisflooring.com.



WARNING: Drilling, sawing, sanding or machining wood products can expose you to wood dust, a substance known to the State of California to cause cancer. Avoid inhaling wood dust or use a dust mask or other safe guards for personal protection. For more information go to www.P65Warnings.ca.gov/wood-dust. TCSA Title IV Compliant.

For more information visit
harriswoodfloors.com
 or call Toll Free (800) 852-8020

HARRIS
 FLOORING GROUP